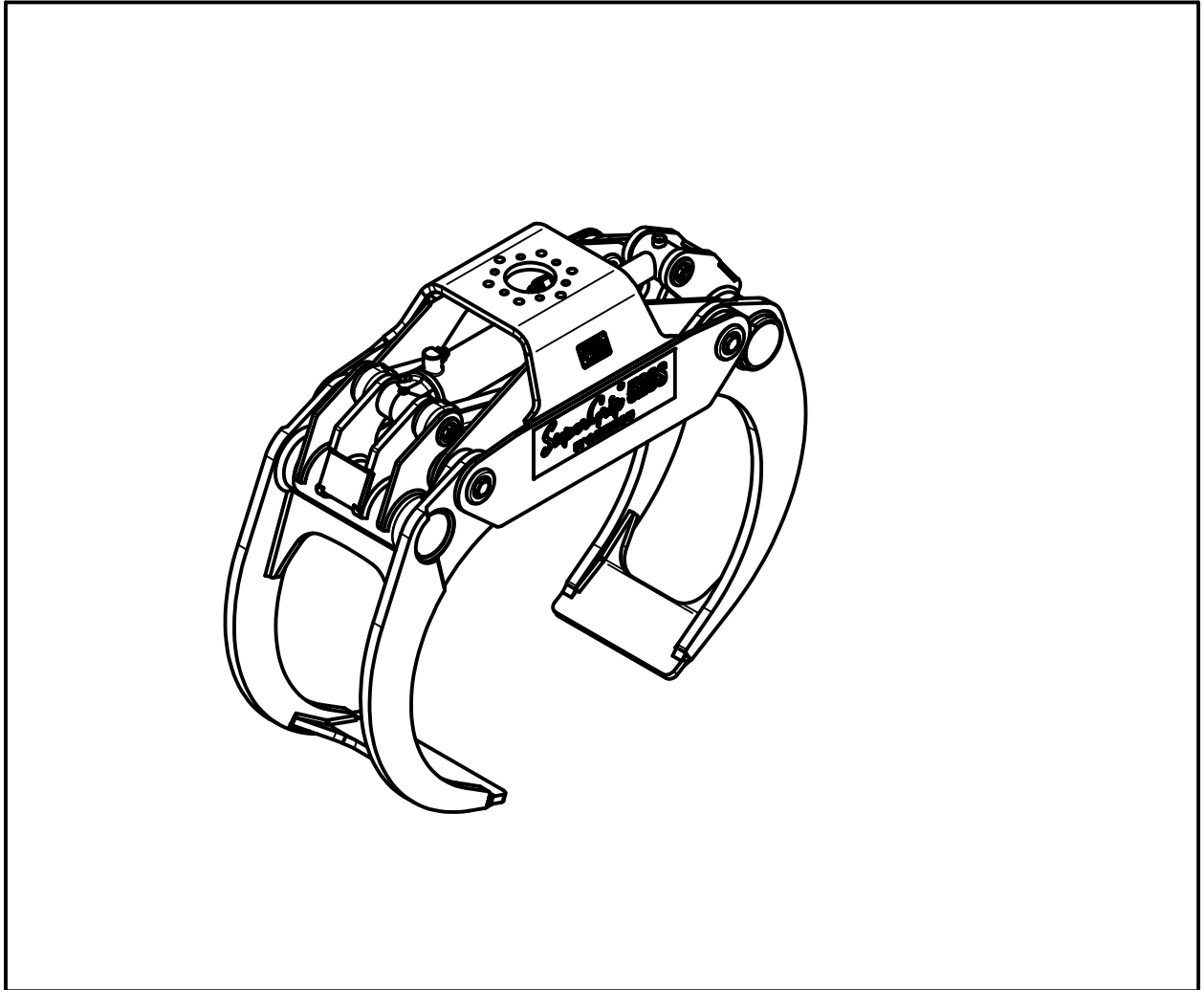


# SuperGrip®

---



**HULTDINS**

**SuperGrip 520S**

2019-08-08

Rev. 01

Doc.Nr. 7683380-EN

Utg. 01-19

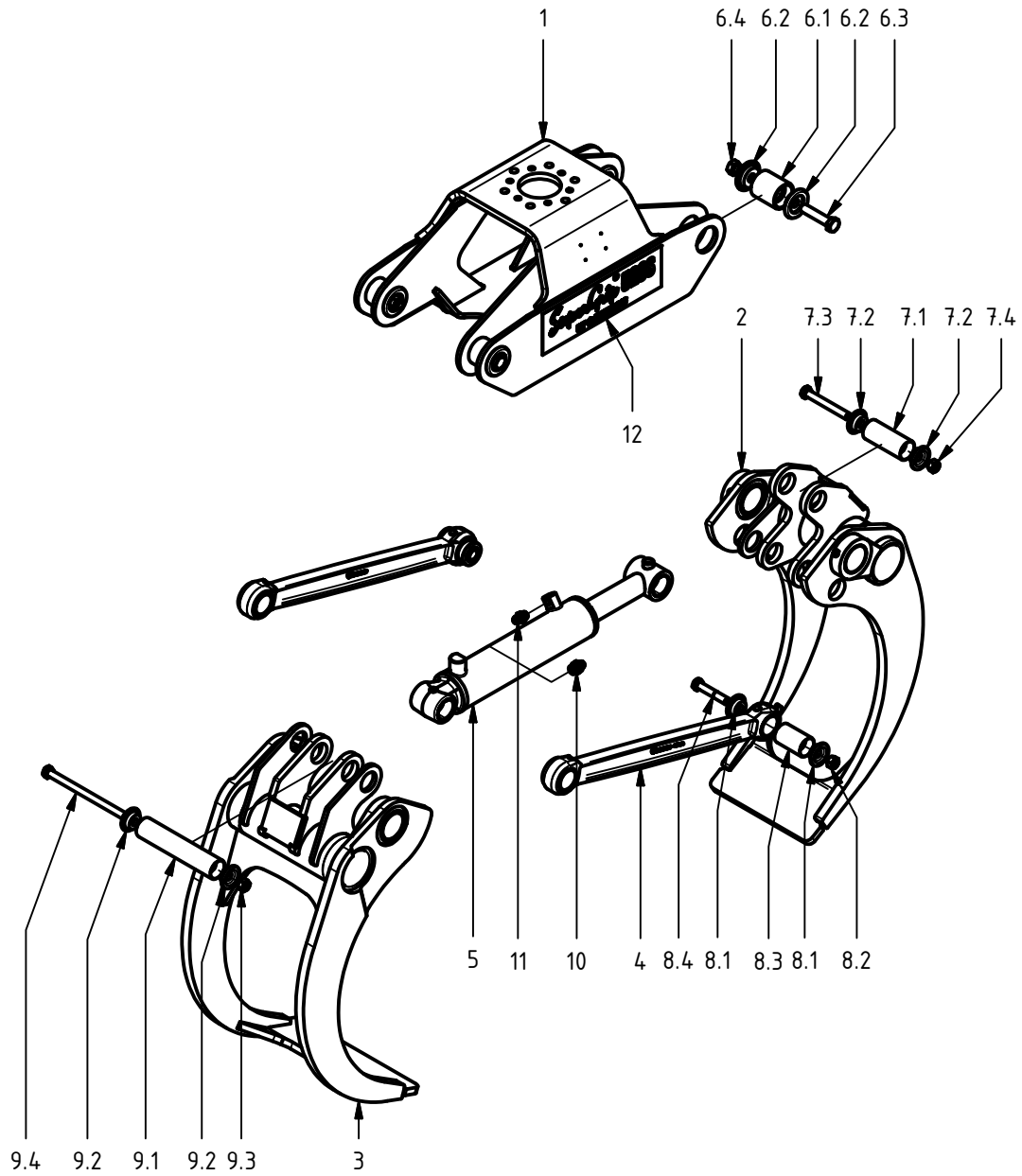
English

**Spare Parts manual**

**0683380**

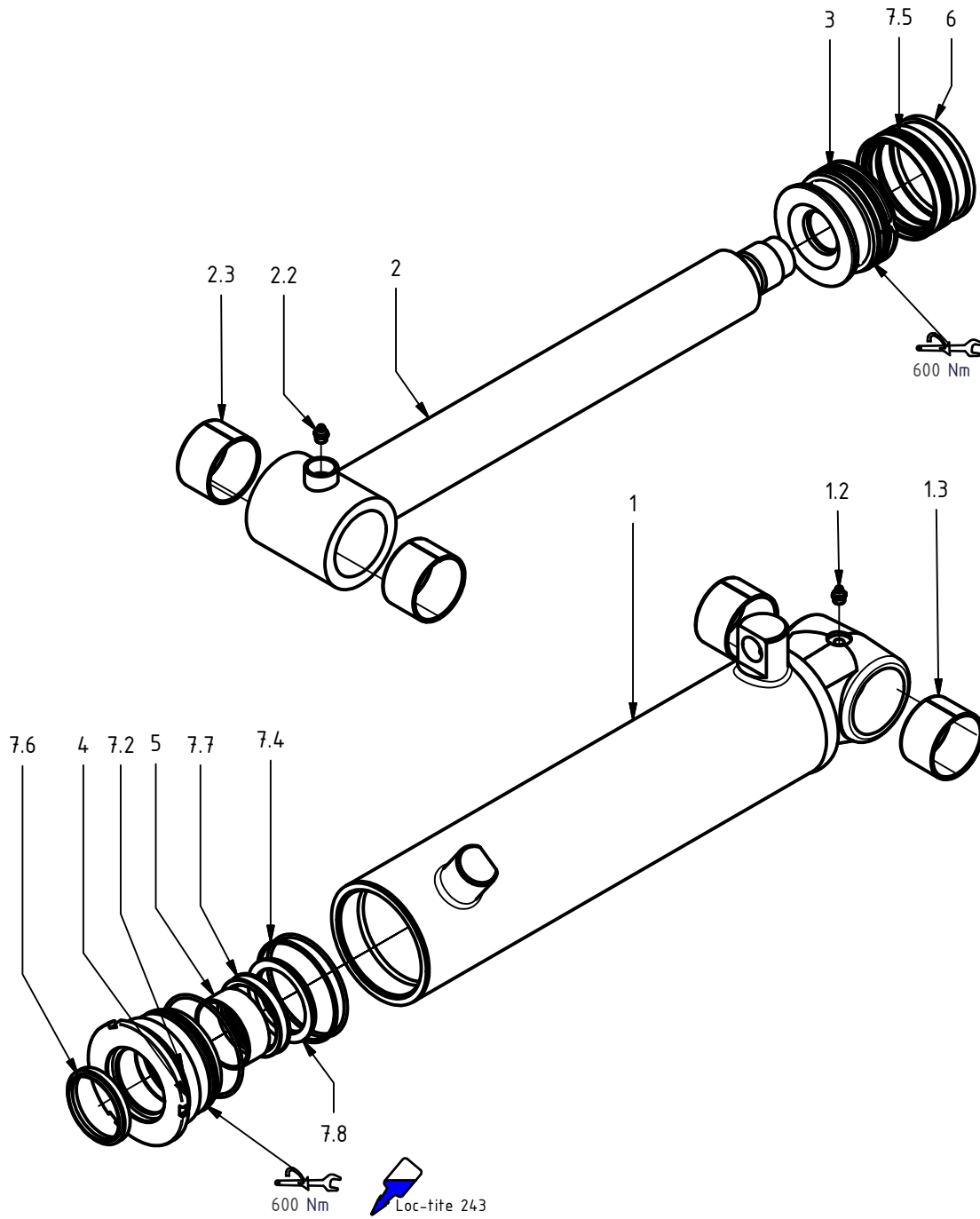
**S/N 029-5980 & up**

SuperGrip 520S



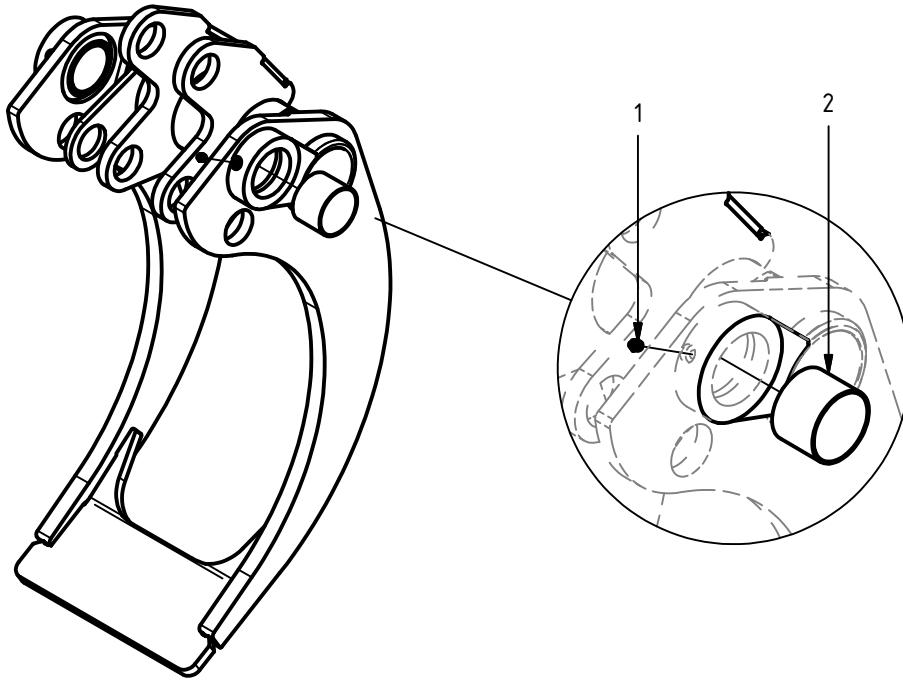
Item	Qty.	Part Number	Description	Notes
1	1	0683387	Main frame	item #12 not included
2	1	0683381	Grapple arm, male	
3	1	0683384	Grapple arm, female	
4	2	0683930	Rod asm.	
5	1	0150084	Hydraulic cylinder $\varnothing$ 100/63	
6	4	0680540	Pin joint $\varnothing$ 80 x 90 asm.	
6.1	1	0680521	Pin	$\varnothing$ 80 x 090
6.2	2	0683021	Washer $\varnothing$ 80	
6.3	1	0104634	Hex hd. cap screw	ISO 4014 - M24x110
6.4	1	0106033	Hex nut	ISO 4032 M24
7	1	0683441	Pin joint $\varnothing$ 60 x 147 asm.	
7.1	1	0683059	Pin	$\varnothing$ 60 x 147
7.2	2	0683054	Washer $\varnothing$ 60	
7.3	1	0104087	Hex hd. cap screw	ISO 4014 M20x160
7.4	1	0106032	Hex nut	ISO 4032 M20
8	2	0683442	Pin joint $\varnothing$ 60 x 99 asm.	
8.1	2	0683054	Washer $\varnothing$ 60	
8.2	1	0106032	Hex nut	ISO 4032 M20
8.3	1	0683056	Pin	$\varnothing$ 60 x 099
8.4	1	0104617	Hex hd. Cap Screw	ISO 4014 M20x110
9	1	0683445	Pin joint $\varnothing$ 60 x 292 asm.	
9.1	1	0683077	Pin	$\varnothing$ 60 x 292
9.2	2	0683054	Washer $\varnothing$ 60	
9.3	1	0106032	Hex nut	ISO 4032 M20
9.4	1	0104914	Hex hd. cap screw	ISO 4014 - M20x300
10	1	0130061	Adapter str.	SJG 1412
11	1	0130107	Adapter str.	SJG 1408
12	2	0146182	Decal	

Hydraulic cylinder ø100/63



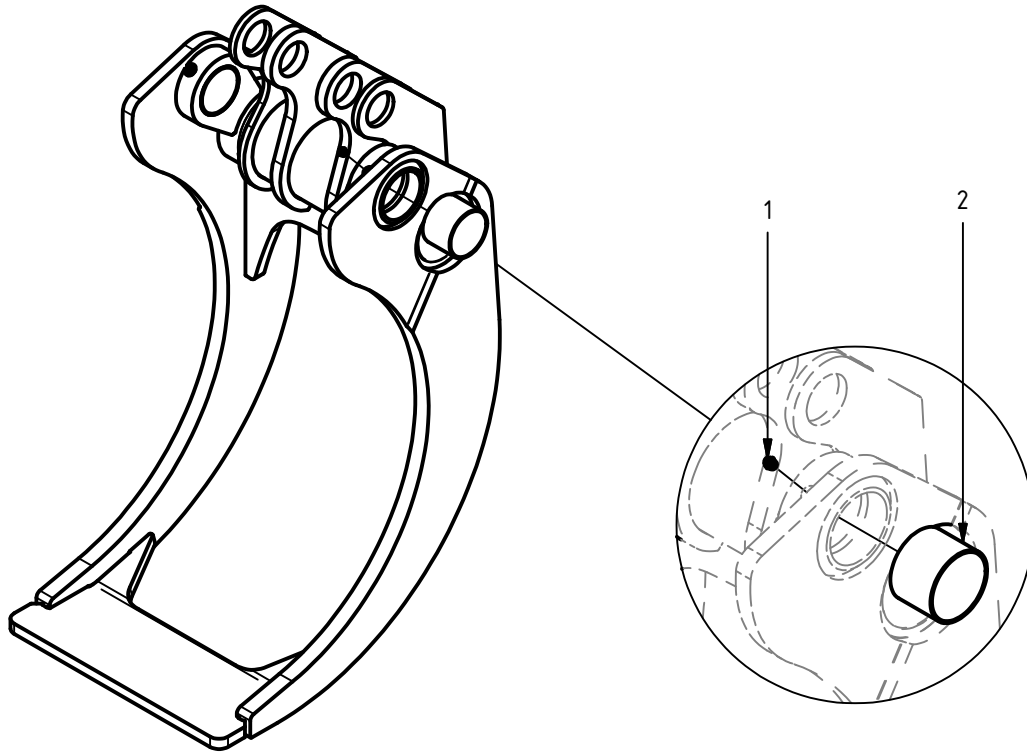
Item	Qty.	Part Number	Description	Notes
1	1	0150608	Barrel asm.	incl. item #1.2-1.3
1.2	1	0114023	Grease Fitting	M10 x 1
1.3	2	0124092	Bearing	∅60/65 x 40 WB
2	1	0150609	Rod asm.	incl. item #2.2-2.3
2.2	1	0114023	Grease Fitting	M10 x 1
2.3	2	0124092	Bearing	∅60/65 x 40 WB
3	1	0150509	Piston	∅100
4	1	0150511	Gland	100/63
5	1	0150526	Guide Ring	68/63 x 25-PF
6	1	0150529	Piston Ring	∅100
7	1	0121078	Seal kit 100/63	
7.2	2	-	O-ring	94,5 x 3,0
7.4	1	-	Backup Ring	100/95 x 1,3
7.5	1	-	Piston Seal	M/R-PF 100/85 x 20
7.6	1	-	Dust seal	PA 63/73 x 7 x 10
7.7	1	-	Rod seal	SI/L 63/78 x 12,5
7.8	1	-	Retainer ring	RI 63/78 x 2,65-A

Grapple arm, male



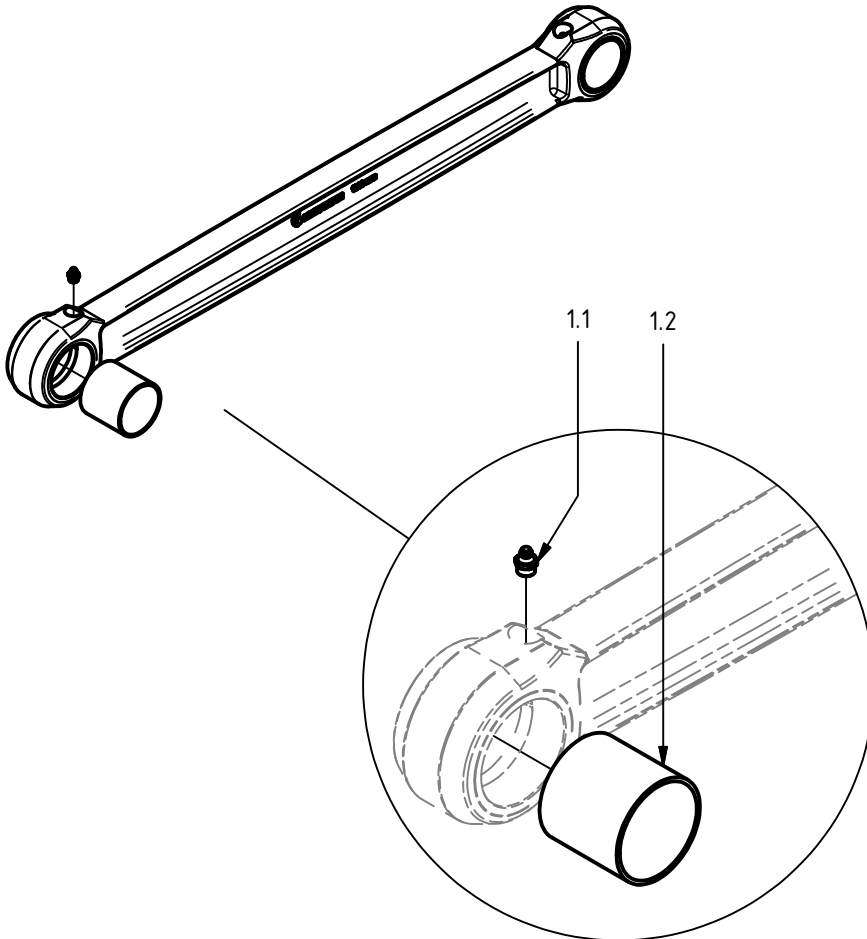
Item	Qty.	Part Number	Description	Notes
1	2	0114023	Grease Fitting	M10 x 1
2	2	0124066	Bearing	∅80/85 x 60 WB

Grapple arm, female



Item	Qty.	Part Number	Description	Notes
1	2	0114023	Grease Fitting	M10 x 1
2	2	0124066	Bearing	∅80/85 x 60 WB

Rod asm.



Item	Qty.	Part Number	Description	Notes
1.1	2	0114023	Grease Fitting	M10 x 1
1.2	2	0124104	Bearing	∅60/65 x 60 WB





# SuperGrip®

---



English

Hultdin System AB  
Skolgatan 12, SE-939 31 MALÅ, Sweden  
tel. +46 953 418 00  
E-mail: sales@hultdins.se

Hultdins Inc.  
22 Morton Avenue East  
Brantford, Ontario, Canada N3R 7J7  
tel (519) 754-0044, fax (519) 754-1569  
E-mail: info@hultdins.com