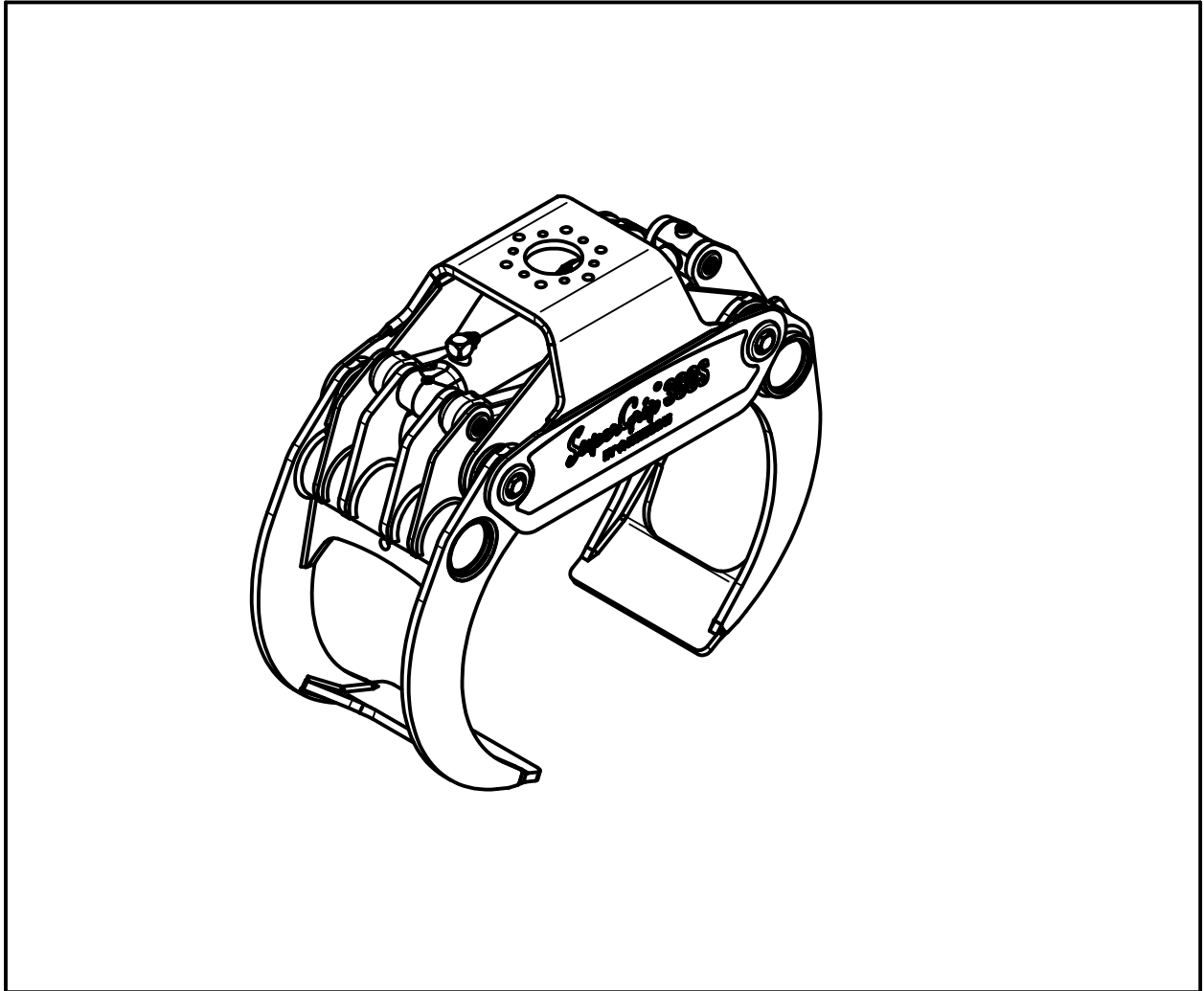


SuperGrip®



 **HULTDINS**

SuperGrip 360S

2022-05-11

Rev. 00

Doc.Nr. 7680580-EN

Utg. 01-22

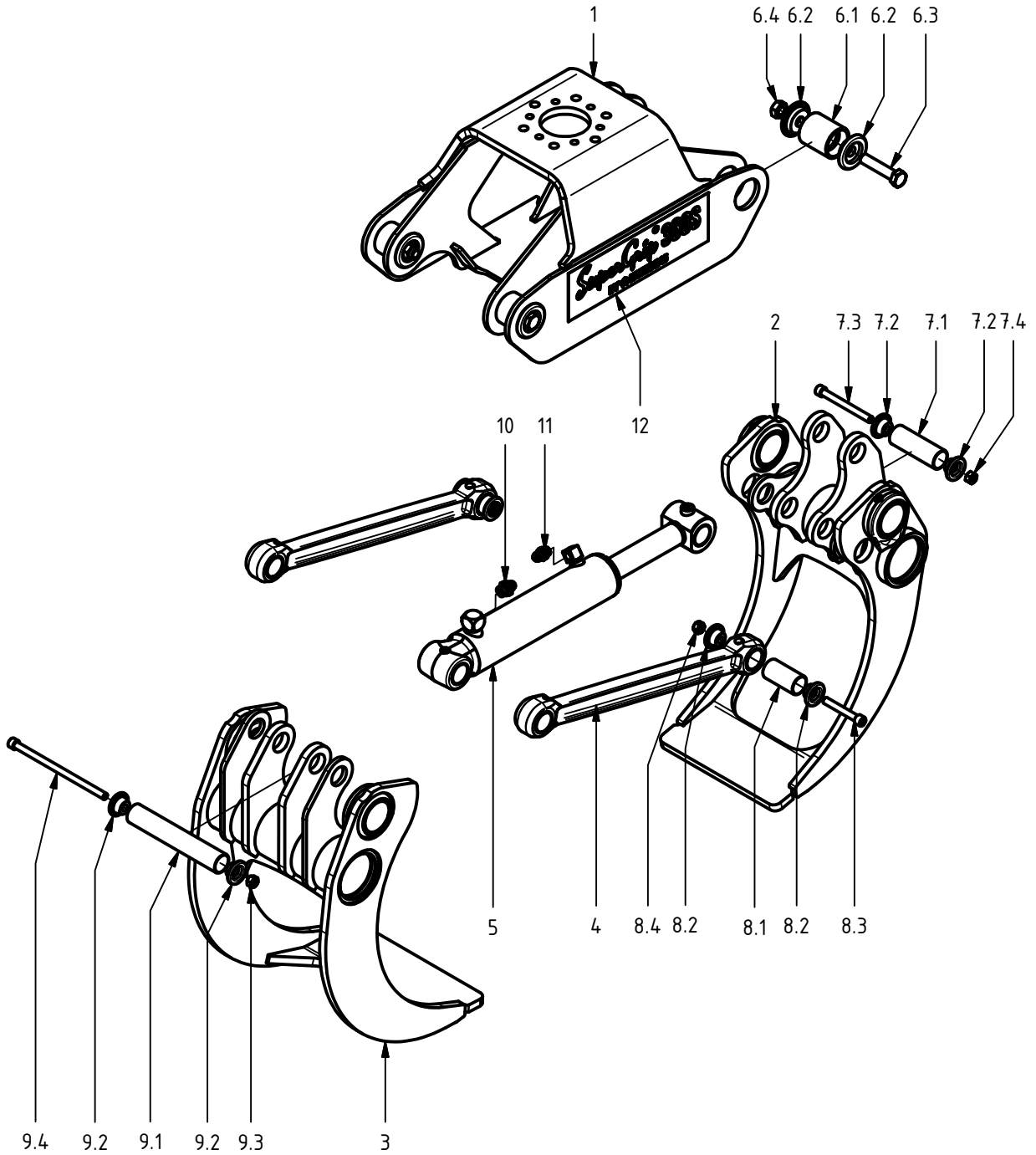
English

Spare Parts manual

0680580

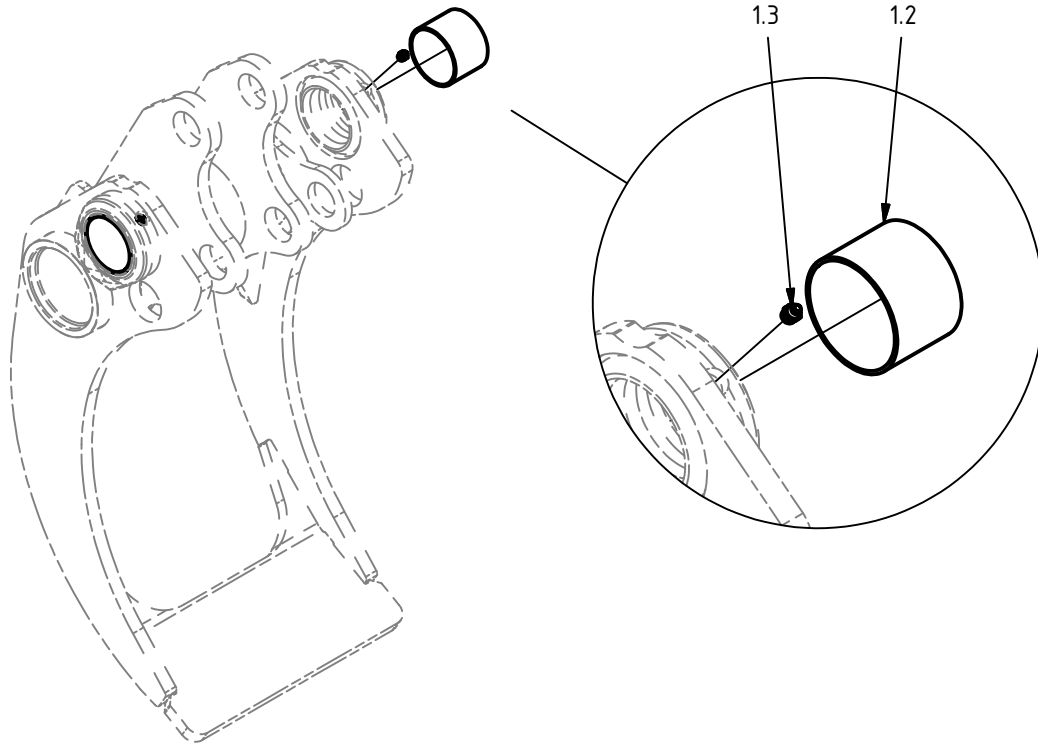
S/N 027-23351 & up

SuperGrip 360S



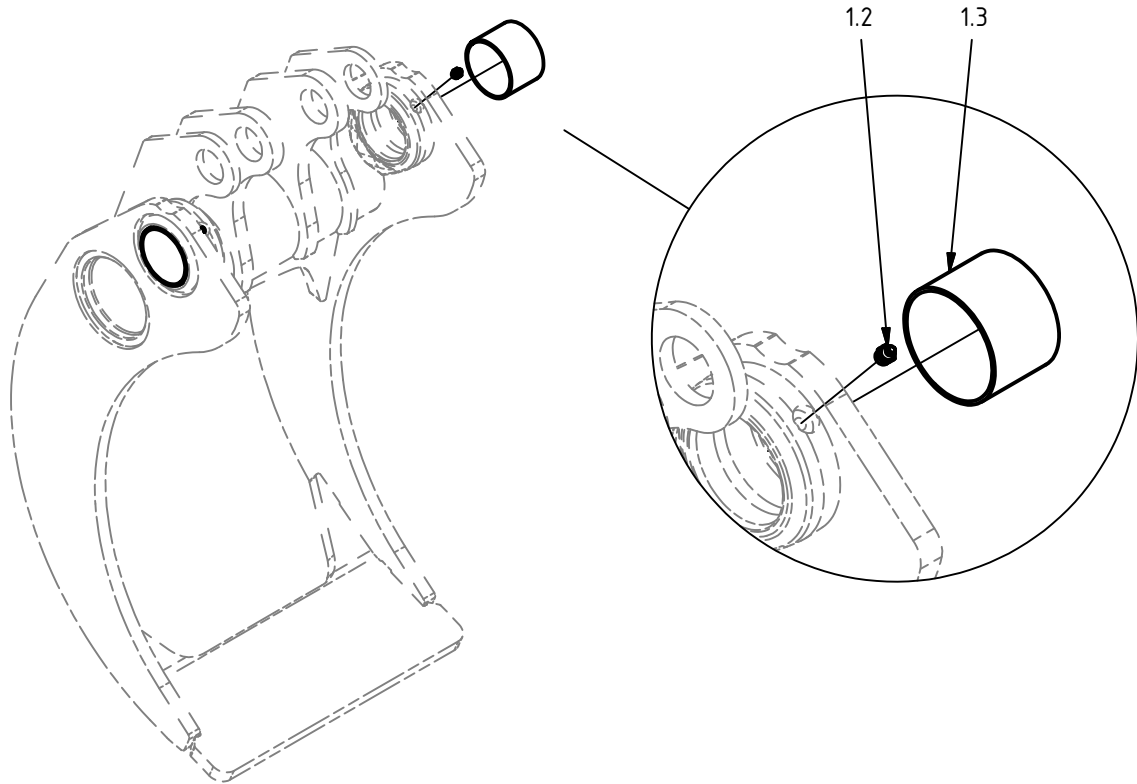
Item	Qty.	Part Number	Description	Notes
1	1	0680387	Main frame	item #12 not included
2	1	0680857	Grapple arm, male	
3	1	0680858	Grapple arm, female	
4	2	0680930	Rod asm.	
5	1	0150082	Hydraulic cylinder \varnothing 90/56	
6	4	0680540	Pin joint \varnothing 80 x 90 asm.	
6.1	1	0680521	Pin	\varnothing 80 x 090
6.2	2	0683021	Washer \varnothing 80	
6.3	1	0104634	Hex hd. cap screw	ISO 4014 - M24x110
6.4	1	0106033	Hex nut	ISO 4032 M24
7	1	0680541	Pin joint \varnothing 50 x 147 asm.	
7.1	1	0680077	Pin	\varnothing 50 x 147
7.2	2	0680054	Washer \varnothing 50	
7.3	1	0104132	Socket hd. cap screw	ISO 4762 - M16x160
7.4	1	0106030	Hex Nut	ISO 4032 M16
8	2	0680542	Pin joint \varnothing 50 x 99 asm.	
8.1	1	0680015	Pin	\varnothing 50 x 99
8.2	2	0680054	Washer \varnothing 50	
8.3	1	0104502	Socket hd. Cap Screw	ISO 4762 - M16x110
8.4	1	0106030	Hex Nut	ISO 4032 M16
9	1	0680545	Pin joint \varnothing 50 x 294 asm.	
9.1	1	0680075	Pin	\varnothing 50 x 294
9.2	2	0680054	Washer \varnothing 50	
9.3	1	0106030	Hex Nut	ISO 4032 M16
9.4	1	0104115	Socket hd. Cap Screw	ISO 4762 - M16x300
10	1	0130061	Adapter str.	SJG 1412
11	1	0130107	Adapter str.	SJG 1408
12	2	0146176	Decal	

Grapple arm, male



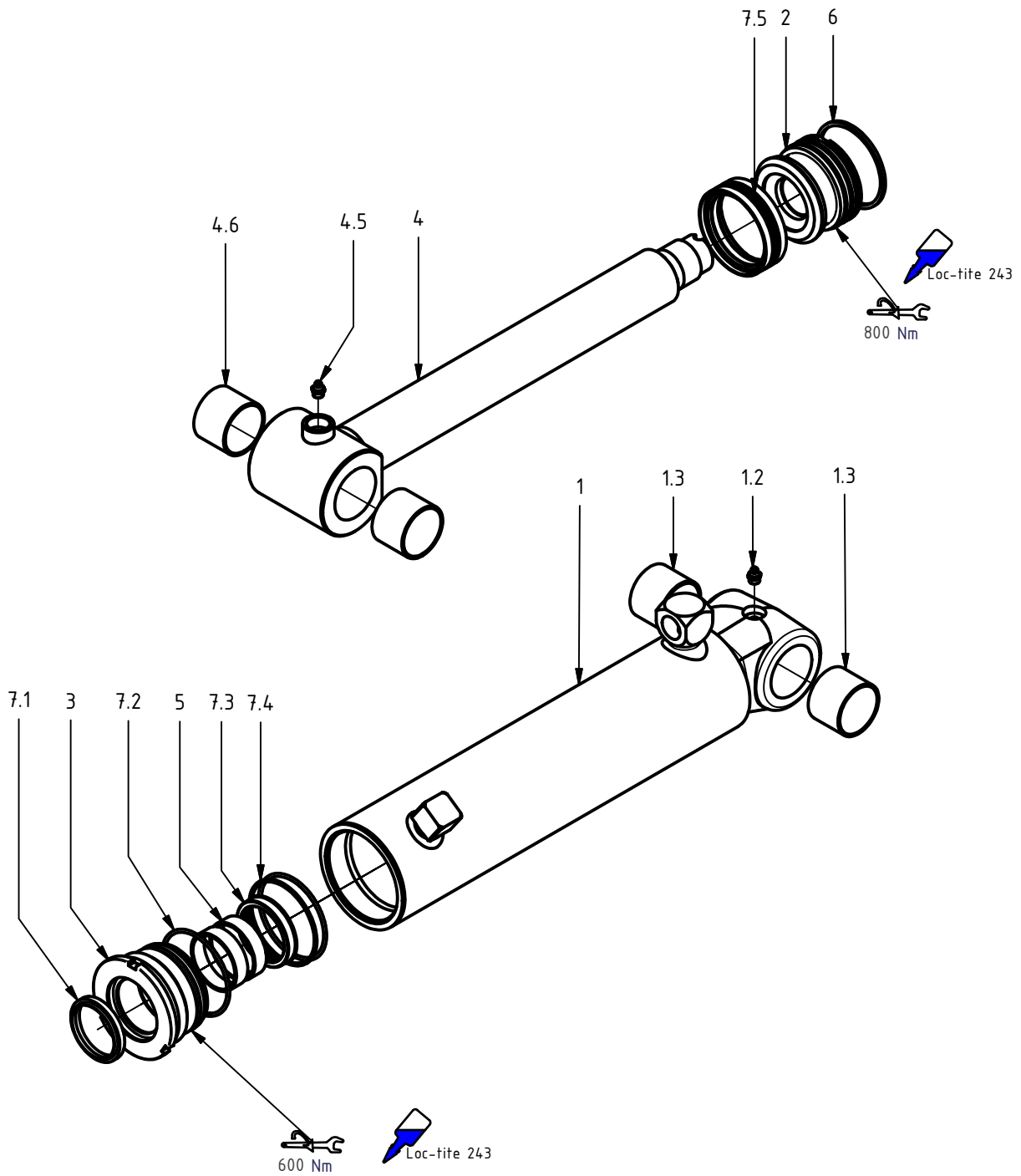
Item	Qty.	Part Number	Description	Notes
1.2	2	0124.066	Bearing	∅80/85 x 60 WB
1.3	2	0114.023	Grease Fitting	M10 x 1

Grapple arm, female



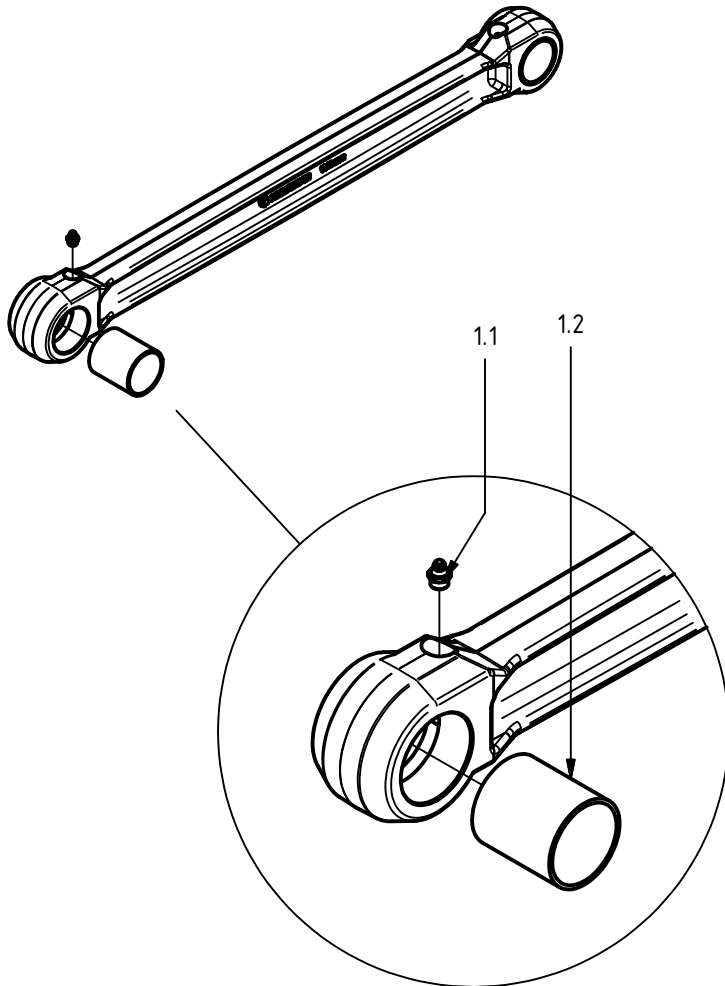
Item	Qty.	Part Number	Description	Notes
1.2	2	0114023	Grease Fitting	M10 x 1
1.3	2	0124066	Bearing	∅80/85 x 60 WB

Hydraulic cylinder $\varnothing 90/56$



Item	Qty.	Part Number	Description	Notes
1	1	0150604	Barrel asm.	incl. item #1.3-1.3
1.2	1	0114023	Grease Fitting	M10 x 1
1.3	2	0124044	Bearing	∅50/55 x 40 WB
2	1	0150506	Piston	90/56
3	1	0150507	Gland	90/56
4	1	0150605	Rod asm.	incl. item #4.2-4.3
4.5	1	0114023	Grease Fitting	M10 x 1
4.6	2	0124044	Bearing	∅50/55 x 40 WB
5	2	0150525	Guide Ring	61/56 x 15-PF
6	1	0150528	Piston Ring	90 S
7	1	0121077	Seal kit 90/56	
7.1	1	-	Dust Seal	PA 56/66 x 7 x 10
7.2	2	-	O-ring	84,5 x 3,0
7.3	1	-	Rod Seal	SI/L 56/71 x 12,5
7.4	1	-	Backup Ring	85/90 x 1,3
7.5	1	-	Piston Seal	M/R-PF 90/75 x 20

Rod asm.



Item	Qty.	Part Number	Description	Notes
1.1	2	0114023	Grease Fitting	M10 x 1
1.2	2	0124089	Bearing	∅50/55 x 60 WB

SuperGrip®

 **HULTDINS**

English

Hultdin System AB
Skolgatan 12, SE-939 31 MALÅ, Sweden
tel. +46 953 418 00
E-mail: sales@hultdins.se