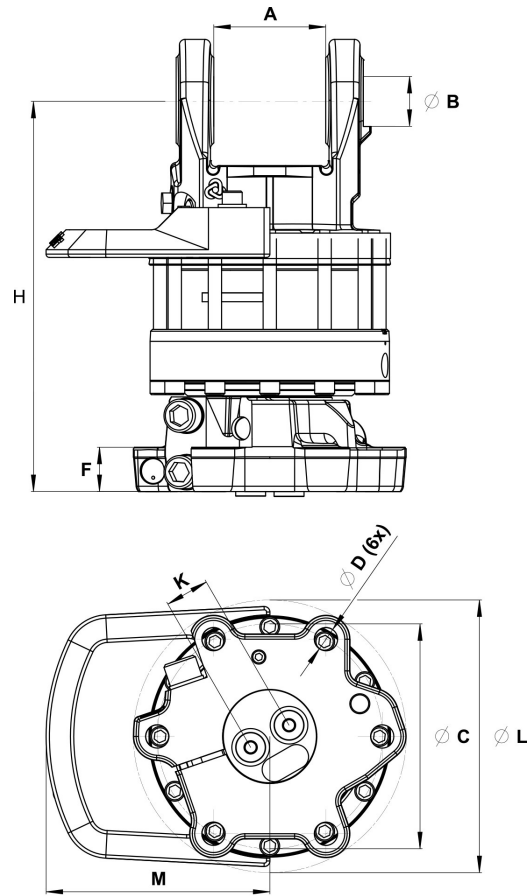
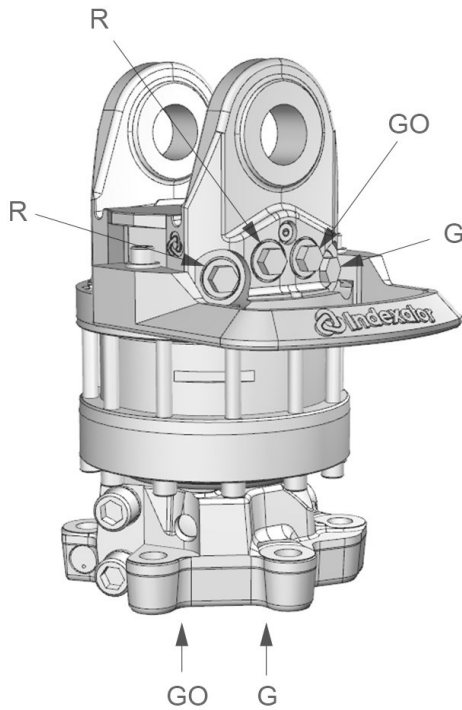


# GV 17S A 203

Part No.: 5217278



Upper connection	Lower connection
G 1/2	G 1/2

A: 101 mm	B: Ø45 mm	C: Ø203 mm	D: Ø21 mm	F: 40 mm	H: 353 mm	K: 40 mm	L: Ø248 mm	M: 202 mm
--------------	--------------	---------------	--------------	-------------	--------------	-------------	---------------	--------------

65.1 kg	360°	Max 160 kN	Max 50 kN	3300 Nm	Max 35 l/min	Max 25 MPa	Max 30 MPa	Max 30 MPa

Rotator with only axial connections for a grapple function.

Adapter sets are available for alternative connections.

We reserve the right to make product changes. For further technical information relating to integration and hydraulic connections, please contact [rotator@indexator.com](mailto:rotator@indexator.com)